

Update heat shields GM3.0 RB

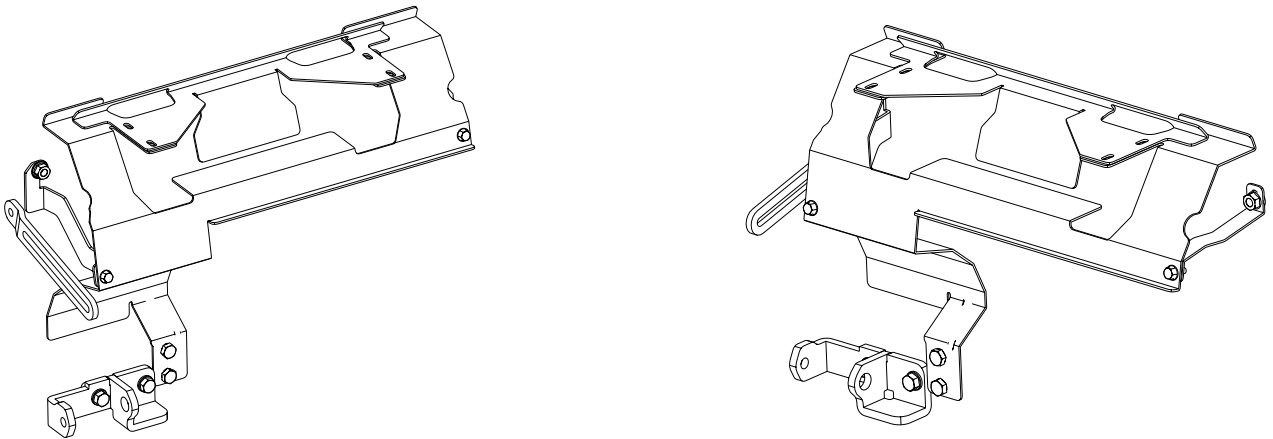
As a quality improvement, IMPCO Europe has been made a change on the heat shield of the GM3.0 RB engine.

All engines after August 22, 2013 are equipped with the new heat shields, alternator bracket and alternator tensioner. The new design fits on all GM3.0 RB engines.

For services the heat shields are only available as a spare part kit.

Spare part number: A12-284

New situation



Old situation

